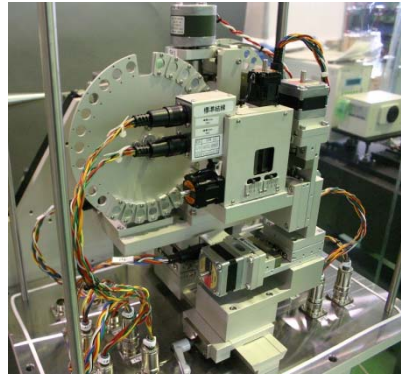




The 4-Blades Slit with XZ <GHM-12XZ>

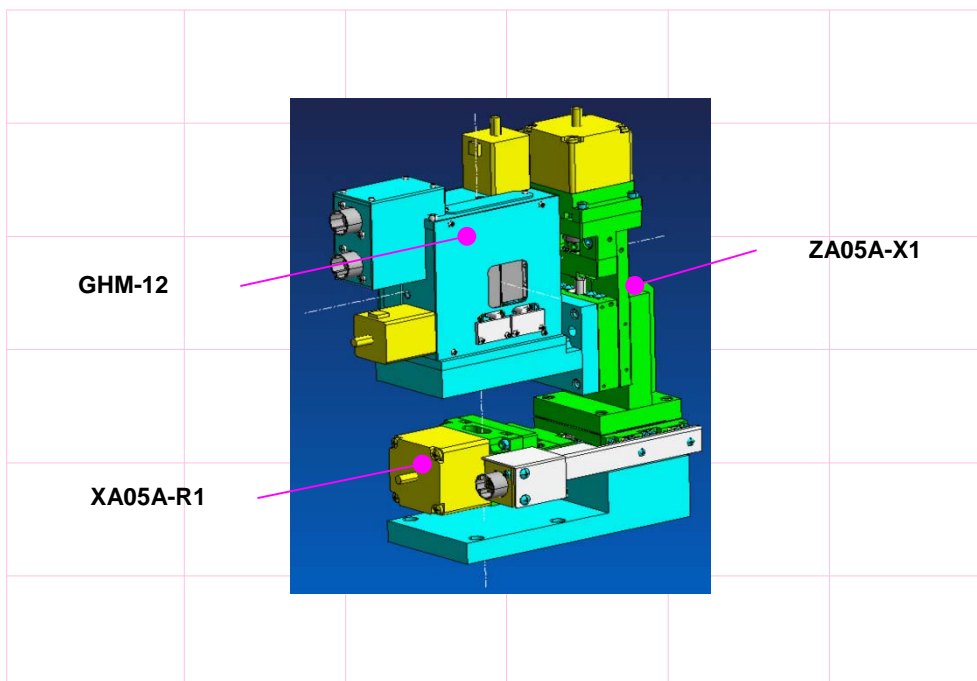
This is XY-stage which has 4-blades motorized slit. You can move to anywhere you like with keeping the aperture size.



< Shaping a beam in front of sample. KSU-10 >

Features

- ◆ GHM-12
- ◆ Kohzu's Smallest 4-Blades Slit
- ◆ 1 Motor for 2 Blades.
- ◆ 2 blades are closed and opened at the same time.
- ◆ 50um cross-over when both blades completely shut.
- ◆ The Blade's parallelism and orthogonality are adjusted within 10 um by a Kohzu's technician for each by each.
- ◆ The blade is made of Tantalum and precisely polished.
- ◆ Option :
The BISP type
(Blades In-the Same Plane)
The smallest aperture is set for 20 um.
- ◆ XZ stages
- ◆ ZA05A-X1
- ◆ XA05A-R1



Specifications

| | |
|------------------------|------------------------------------|
| Model | GHM-12XZ |
| Feature | Coupled Blades |
| Aperture Size | Maximum 15mm x 15mm |
| Blade Travel | 0 - +7.5 mm (Each Blade) |
| Resolution (half-step) | 0.5 μ m/ step (Each Blade) |
| Blade Material | Tantalum 5mm t |
| Dimension | 117 x 119.5 x 46.6 mm ³ |
| Model | ZA05A-X1, XA05A-R1 |
| Stroke | \pm 7.5 mm |