

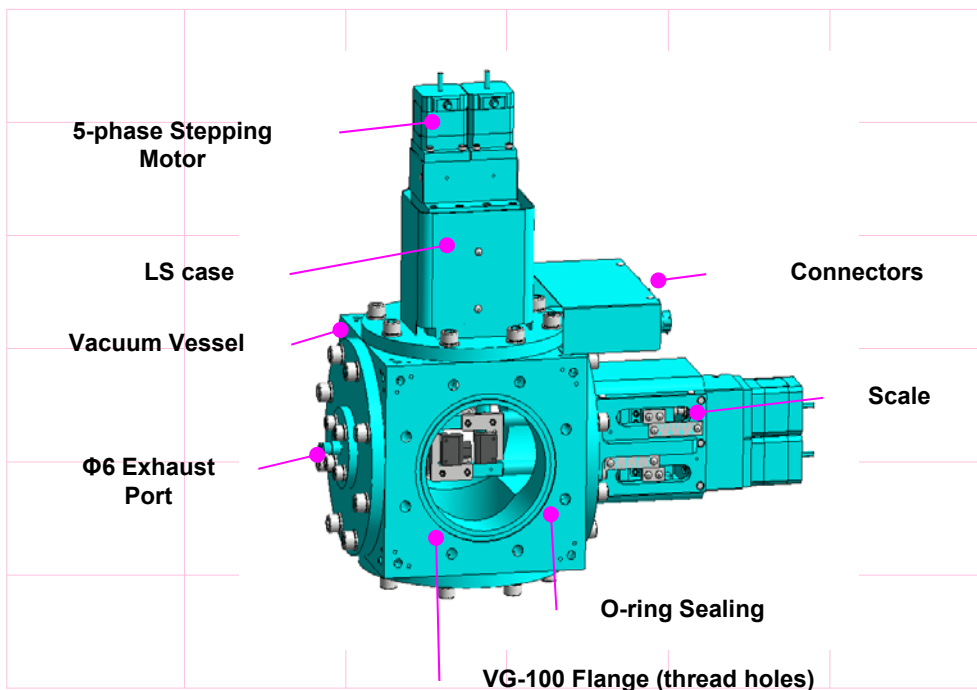
Vacuum 4-Blades Slit <GHM-3SV8>

Motion is transmitted to each blade with linking rod which passes through the chamber and supports the blade.

The slit blade has curved shape (radius 5mm). It is used for small angle X-ray scattering experiment.



<GHM-3SV8 on alignment stages>



Specifications

Model	GHM-3SV8
Max. (Min.) Aperture	20 x 20 mm (50 x 50 μm)
Actuator	5-Phase Stepping Motor
Maximum Motor Speed	3000 pps (at Half step mode)
Resolution (Half Step)	0.5 μm
Blade (Thickness)	10 mm (Edge : R5) : Tantalum
Flatness (Blade Edge)	10μm / 25 mm (vertical) 5μm / 25 mm (horizontal)
Vacuum	1 x 10E-5 Pa
Dimension	457.5x 186 x 438.5 (W x L x H : mm)

Features

- ◆ A blade is actuated independently.
- ◆ The shape of Blade's edge is round (R=5mm) (Blade type can be changed)
- ◆ 4 Motors are outside of the chamber.
- ◆ High Vacuum
1 x 10E-5 Pa
- ◆ The extra touch sensor is installed for stopping before the collision of blades.
- ◆ The distance between in and out of chamber's flanges is 186 mm.
- ◆ Welding Bellow is used for a linear feedthrough for the actuator.