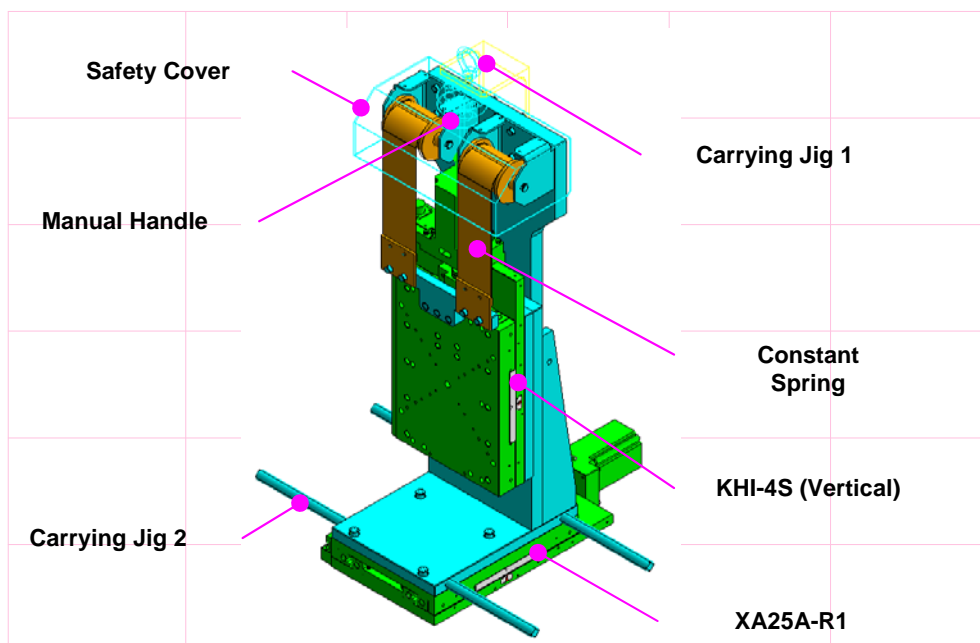




High-Load XZ Stage <KHI-4SK>

This KHI-4SK is consists of the Z stage as KHI-4S and X stage. It can translate to a position precisely while carrying a very heavy duty goniometer on it.



Features

- ◆ The high-load capacity is supported by two of 15 kg forced constant springs.
- ◆ The slim dimension makes easy installation.
- ◆ The mechanical limit switch installed is better for radiation.
- ◆ With 1 mm reading scale.
- ◆ The rigidity is achieved by the steel welded support.
- ◆ With the safety cover.
- ◆ It is consisted of 2 reliable Kohzu's standard stages.
- ◆ The carrying jig makes easy handling of transportation itself.
- ◆ Table size : 250 x 180 mm
- ◆ The XZ orthogonality is within 20 μm/100mm

Specifications

Model	KHI-4SK
Stroke	± 50 mm
Accuracy	15 μm
Screw	Ground Screw
Resolution (half-step)	1 μm
Repeatability	3 μm
Load Capacity	50 kg
Dimension (mm)	443.5 x 198 x 660 (length x width x height)
Self Weight	40 kg

Kohzu Precision Co.,Ltd.

Tel: +81-44-981-2131

Fax: +81-44-981-2181

Email:sale@kohzu.co.jp

URL://www.kohzuprecision.com